



### System No. W-J-2001

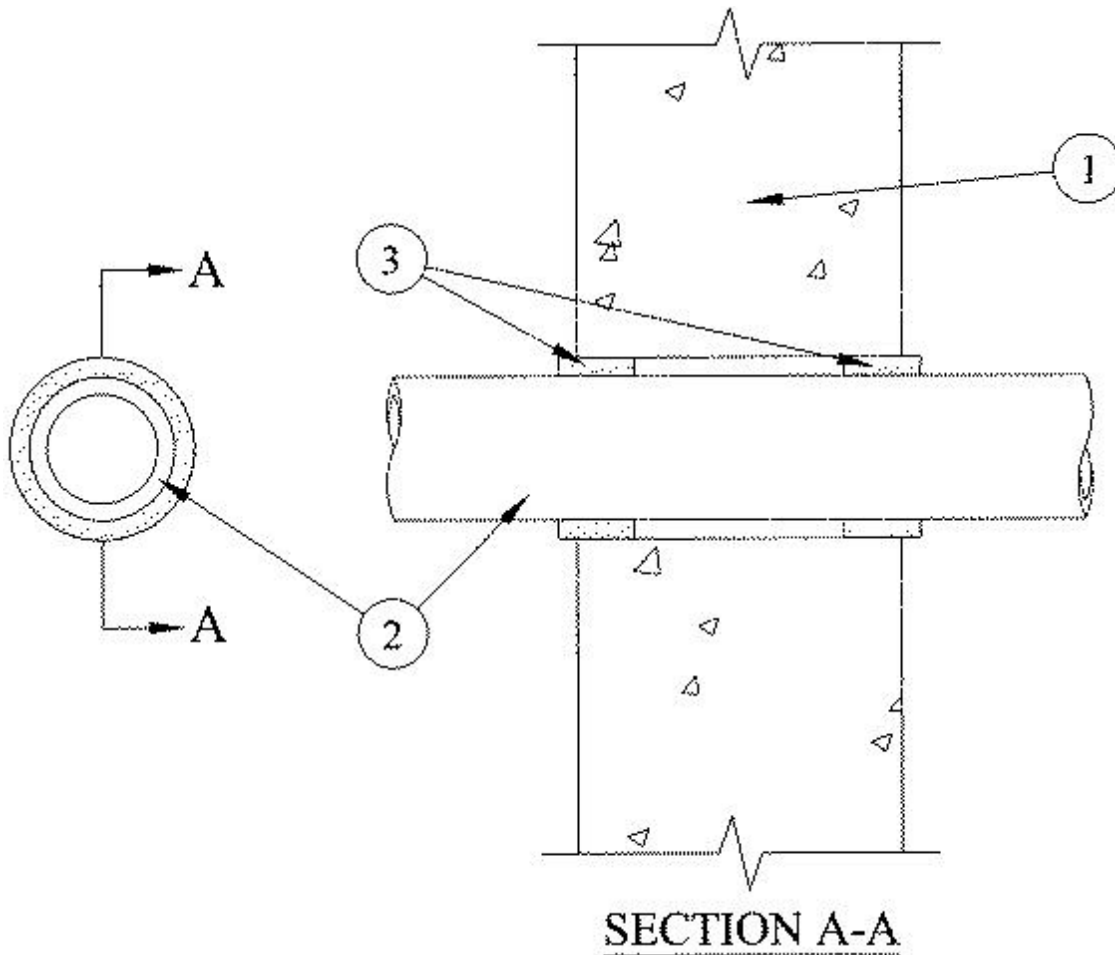
June 19, 2004

F Rating — 1 Hr

T Rating — 3/4 and 1 Hr (See Item 2)

FH Rating — 1 Hr

FTH Rating — 3/4 and 1 Hr (See Item 2)



System tested with a pressure differential of 50 Pa between the exposed and the unexposed surfaces with the higher pressure on the exposed side.

1. **Wall Assembly** — Min 114 mm (4-1/2 in.) thick reinforced lightweight or normal weight 1600 - 2400 kg/m<sup>3</sup> (100-150 pcf) concrete. Wall may also be constructed of any UL Classified **Concrete Blocks\***. Max diam of opening is 64 mm (2-1/2 in.)

See **Concrete Blocks** (CAZT) category in the Fire Resistance Directory for names of manufacturers.

2. **Through Penetrant** — One nonmetallic pipe or tube to be centered positioned within a nom 8 to 10 mm (5/16 to 3/8 in.) range of annular space within the firestop system. Pipe or tube to be rigidly supported on both sides of wall assembly. The following types and sizes of nonmetallic pipe or tube may be used:

A. **Polyvinyl Chloride (PVC) Pipe** — Nom 38 mm (1-1/2 in.) diam (or smaller) Schedule 40 cellular or solid core PVC pipe for use in vented (drain, waste or vent) piping systems. When PVC pipe is used, the FT and FTH Ratings are 3/4 hr.

**B. Cross Linked Polyethylene (PEX) Tubing** — Nom. 25 mm (1 in.) diam (or smaller) SDR-9 PEX Tubing for use in closed (process or supply) piping systems. When PEX tubing is used, the FT and FTH Ratings are 1 hr.

**3. Fill, Void or Cavity Material\* - Wrap Strip** — Nom 6 mm (1/4 in.) thick by 25 mm (1 in.) wide intumescent wrap strip. The wrap strip is continuously wrapped once around the outer circumference of the pipe, secured with tape and slid into annular space such that the ends extend a max of 6 mm (1/4 in.) beyond the surface of the wall. Wrap strips are installed on each surface of the wall.

**RECTORSEAL** — Metacaulk Wrap Strip

\*Bearing the UL Classification Mark