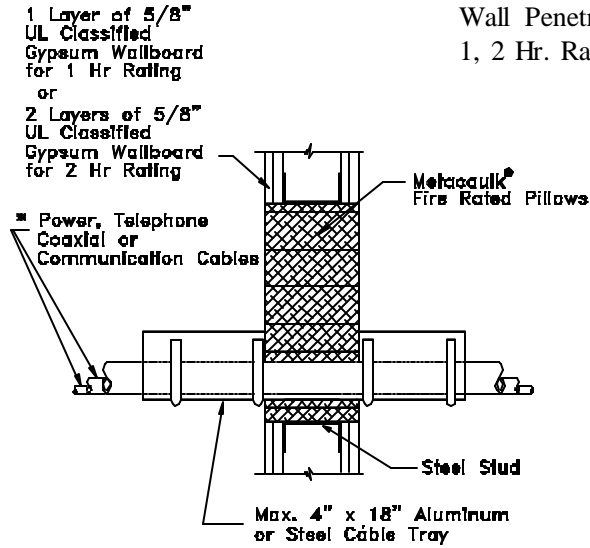
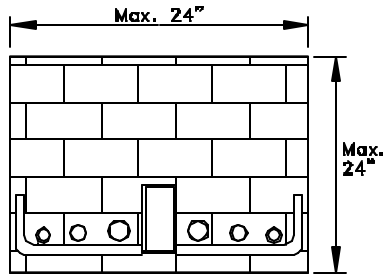




metacaulk®

PILLOW-GW-10
Wall Penetration
1, 2 Hr. Rating



SYSTEM CONFIGURATION INFORMATION

METACAULK® PRODUCT(S)			PENETRATING ITEM(S)			HOLE SIZE		ANNULAR SPACING		ADDITIONAL INSTALLATION MATERIALS AND AIDS			BACKING MATERIAL		ASTM E 814 RATING	
PILL MAT'L	MIN. THICK.	OTHER	TYPE	SIZE	INSULATION	MAX.	MIN.	MAX.	WIRE MESH	STEEL SLEEVE	OTHER	TYPE	DEPTH	T	F	
Pillow	full wall	none	Power, Telephone, Coaxial, Communication cables	Max. fill 40% (tray)	none	24"x24"	3"	10"	none	none	none	none	N/A	N/A	1, 2	

* Cable tray fill is comprised of power, telephone, coaxial or communication cables.

INSTALLATION INSTRUCTIONS

These instructions are for the installation of through-penetration fire stop system PILLOW-GW-10 in minimum 4 3/4 inch thick steel or wood stud fire rated gypsum wallboard as listed by Underwriters Laboratories Inc. Refer to above drawings and System Configuration Information for component details.

Step Procedure

- 1 Install Metacaulk® Fire Rated Pillows by tightly packing bags (with 9" dimension parallel to wall) between hole edges, cable tray, tubing and cables.
- 2 If needed, apply a 1/2" depth of Metacaulk® 1000 on mineral wool if irregular area exists that are not able to be filled with pillows.

JOB NAME:

ARCHITECT:

CUSTOMER:

CUSTOMER ORDER NO:

CONTRACTOR:

REPRESENTATIVE:

REPRESENTATIVE ORDER NO:

RECTORSEAL
2601 SPENWICK HOUSTON, TEXAS 77055

REVISION NUMBER: 100899

SHEET NUMBER: OF