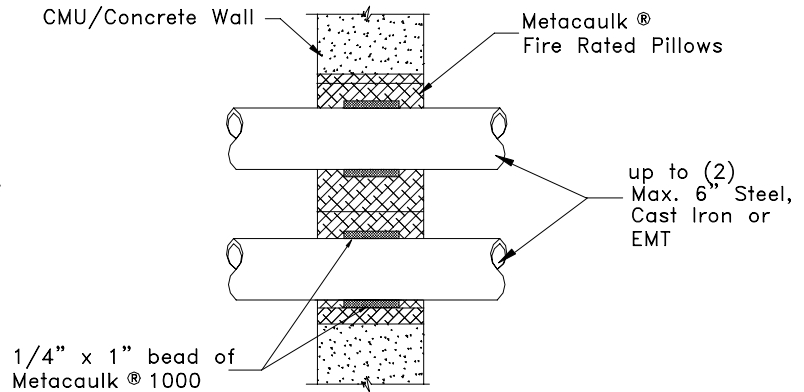
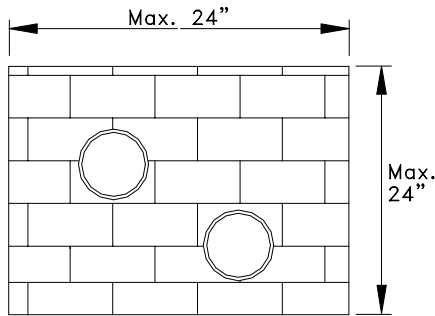




metacaulk®

PILLOW-CW-12
Wall Penetration
up to: 3 Hour Rating



SYSTEM CONFIGURATION INFORMATION

PRODUCT(S)			PENETRATING ITEM(S)			HOLE SIZE	ANNULAR SPACING			ADDITIONAL INSTALLATION MATERIALS AND AIDS			BACKING MATERIAL		ASTM E 814 RATING	
FILL MAT'L	MIN. THICK.	OTHER	TYPE	SIZE	INSULATION	MAX.	MIN.	MAX.	WIRE MESH	STEEL SLEEVE	OTHER	TYPE	DEPTH	T	F	
Pillow	full wall	1000	Steel, Cast Iron SCH40 or EMT	max. 2 up to 6"	none	24"x24"	4"	13 1/2"	none	none	none	min. 4.0 pcf mineral wool (as needed)	as needed	0	3	

INSTALLATION INSTRUCTIONS

These instructions are for the installation of through-penetration fire stop system PILLOW-CW-12 in minimum 4 1/2 inch thick lightweight or normal weight (100-150pcf) concrete walls or concrete wall block (CMU) walls as listed by Underwriters Laboratories Inc. Refer to above drawings and System Configuration Information for component details.

Step Procedure

- 1 Apply a 1/4" by 1" wide bead of Metacaulk® 1000 to circumference of pipes at mid-point of concrete wall.
- 2 Install Metacaulk® Fire Rated Pillows by tightly packing bags with 6" dimension parallel to wall between hole edges and pipe(s).
- 3 If needed, apply a 1/2" depth of Metacaulk® 1000 on mineral wool if irregular area exists that are not able to be filled with pillows.

JOB NAME:

ARCHITECT:

CUSTOMER:

CUSTOMER ORDER NO:

CONTRACTOR:

REPRESENTATIVE:

REPRESENTATIVE ORDER NO:

RECTORSEAL
2601 SPENWICK HOUSTON, TEXAS 77055

REVISION NUMBER: 112000

SHEET NUMBER: OF