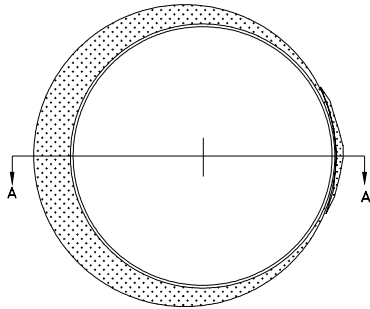




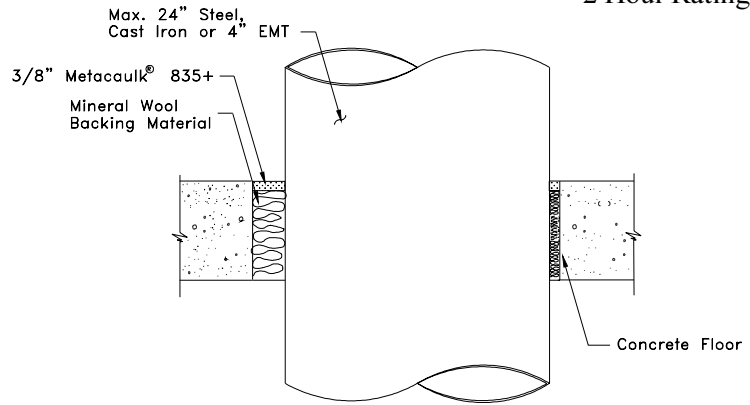
System No.  
CAJ8067

# metacaulk®

835+CF-53  
Floor Penetration  
2 Hour Rating



PLAN



SECTION A-A

Config. "A", "D"

SYSTEM CONFIGURATION INFORMATION															
PRODUCT(S)			PENETRATING ITEM(S)			HOLE SIZE	ANNULAR SPACING		ADDITIONAL INSTALLATION MATERIALS AND AIDS			BACKING MATERIAL		ASTM E. 814 RATING	
FILL MAT'L	MIN. THICK.	OTHER	TYPE	SIZE	INSULATION	MAX.	MIN.	MAX.	WIRE MESH	STEEL SLEEVE	OTHER	TYPE	DEPTH	T	F
835+	3/8" top side	none	Steel or EMT	up to 24" (sch 40)	none	88"x40" 3520 sq. inches	3/4"	17 1/2"	none	none	none	mineral wool min. 4.5pcf	Full Floor	0	2

## INSTALLATION INSTRUCTIONS

These instructions are for the installation of through-penetration fire stop system 835+CF-53 in minimum 4 1/2" thick lightweight or normal weight(100-150pcf) concrete floors as listed by Underwriters Laboratories Inc. Refer to above drawings and System Configuration Information for component details.

### Step Procedure

- Clean all hole and pipe surfaces in penetration area to remove loose debris, dirt, oil, wax, grease, old caulking, etc.
- Install backing material by firmly packing annular space with a full floor depth of minimum 4.5 pcf mineral wool. Recess backing material at least 3/8 "in from top side of floor to accommodate the required fill depth of METACAULK ® 835+.
- Gun, trowel and/or pump METACAULK® 835+ firestopping sealant to a minimum 3/8" depth on top side of floor. Trowel sealant surfaces flush with floor surface and to a smooth defect-free finish.

JOB NAME:

ARCHITECT:

CUSTOMER:

CUSTOMER ORDER NO:

CONTRACTOR:

REPRESENTATIVE:

REPRESENTATIVE ORDER NO:

**THE RECTOR SEAL CORPORATION**  
2601 SPENWICK HOUSTON, TEXAS 77055

REVISION NUMBER: 071098

SHEET NUMBER: OF