



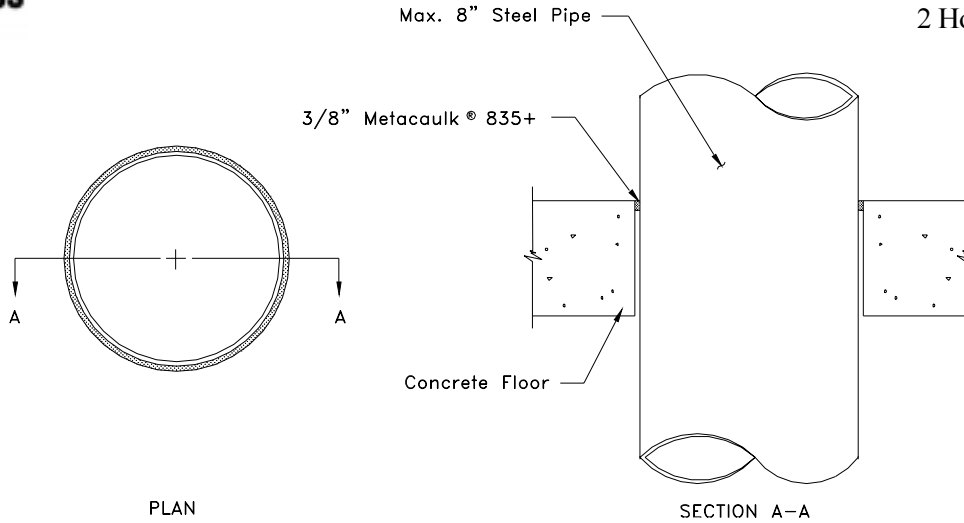
System No.
CAJ1037
(formerly 273)



SP347

metacaulk®

835+CF-3
Floor Penetration
2 Hour Rating



SYSTEM CONFIGURATION INFORMATION

METACAULK® PRODUCT(S)			PENETRATING ITEM(S)			HOLE SIZE	ANNULAR SPACING		ADDITIONAL INSTALLATION MATERIALS AND AIDS			BACKING MATERIAL		ASTM E 814 RATING	
FILL MAT'L	MIN. THICK.	OTHER	TYPE	SIZE	INSULATION	MAX.	MIN.	MAX.	WIRE MESH	STEEL SLEEVE	OTHER	TYPE	DEPTH	T	F
835+	3/8" top side	none	steel pipe, SCH 10S (or heavier)	up to 8" I.D.	none	9"	3/16"	3/16"	none	none	none	none	N/A	0:15	2

INSTALLATION INSTRUCTIONS

These instructions are for the installation of through-penetration fire stop system 835+CF-3 in minimum 4 1/2 inch thick lightweight or normal weight (100-150 pcf) concrete floors as listed by Underwriters Laboratories Inc. Refer to above drawings and System Configuration Information for component details.

Step Procedure

- 1 Cut hole in concrete floor in required size to accommodate pipe penetration and allowable annular spacing. Do not exceed maximum specified hole diameter.
- 2 Install up to 8 inch I.D. steel pipe. Support pipe rigidly on both sides of floor.
- 3 Clean all hole and pipe surfaces in penetration area to remove loose debris, dirt, oil, wax, grease, old caulking, etc.
- 4 Gun, trowel and/or pump Metacaulk® 835+ firestopping sealant to a minimum 3/8 inch depth from top side of floor. Trowel sealant surface flush with floor level and to a smooth defect-free finish.

JOB NAME:

ARCHITECT:

CUSTOMER:

CUSTOMER ORDER NO:

CONTRACTOR:

REPRESENTATIVE:

REPRESENTATIVE ORDER NO:

THE RECTORSEAL CORPORATION
2601 SPENWICK HOUSTON, TEXAS 77055

REVISION NUMBER:

SHEET NUMBER:

OF